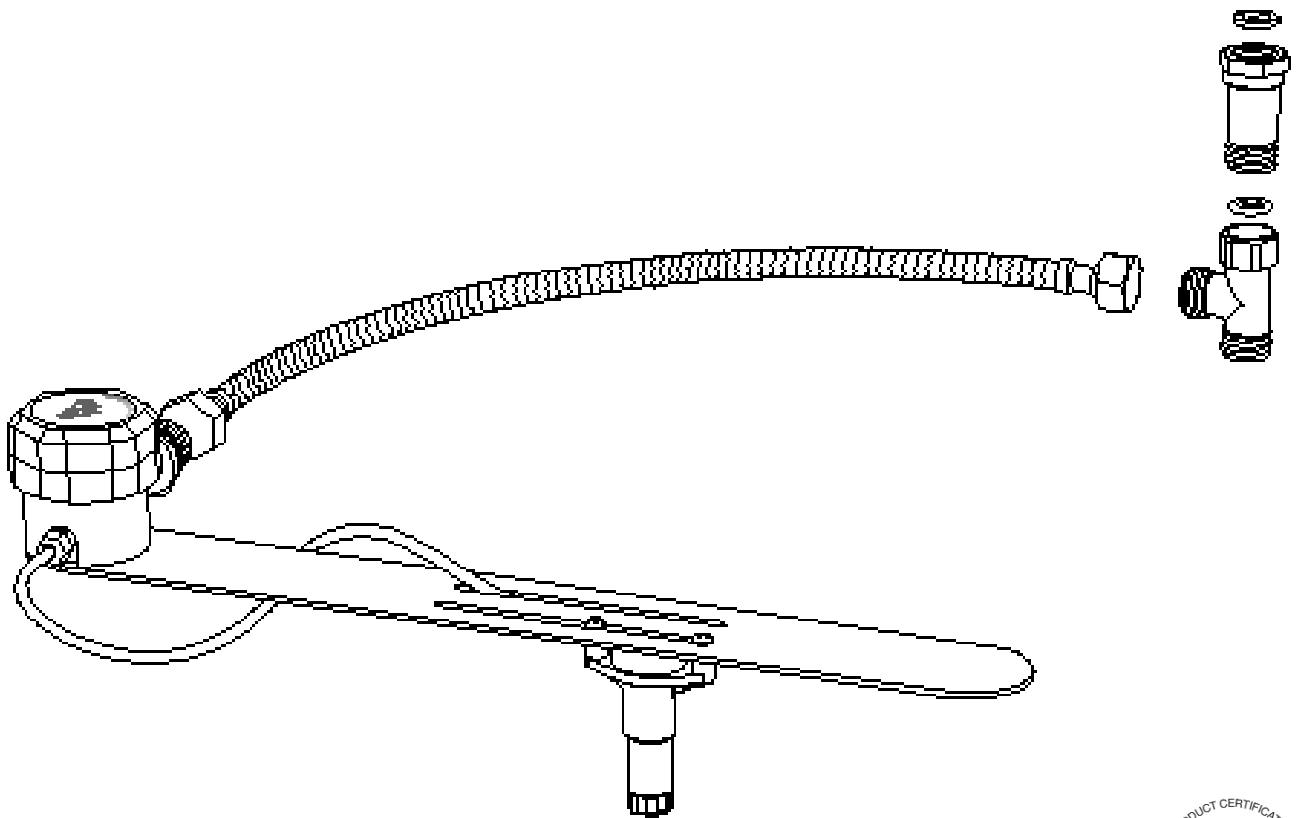


GOOD*
toilet™
bidet

Yes. Water



Bathroom installation guide



WM LIC. 030100
MOD: 202102

Good toilet bidet Scope of use

This device is not intended to be used by persons (including children) with reduced physical or sensory capabilities, or those with a lack of experience or knowledge unless they have been given supervision or instruction in the use of the device by a person who has responsibility for their safety

The water supply to the device must only be potable (drinking) water. Do not connect the appliance to a non-potable source of water (eg recycled ground water) to avoid skin irritation or infection

Flexible inlet hoses should not be twisted, kinked or exposed to harsh chemicals as doing so may lead to the failure of the hose and resultant flooding and property damage that will not be covered under warranty. It is recommended that flexible water inlet hoses be replaced every 5 years

Good toilet bidet is supplied with a low-medium hazard backflow protection device complying with AS/NZS 2845.1

The bidet should be installed by a qualified plumber in compliance with AS/NZS 3500.1 and this installation guide
A high hazard backflow prevention device conforming with AS/NZS 2845.1 or AS/NZS 2845.2 shall be installed

Water usage: 2.7 L/minute (at 0.35MPa water pressure)

Supply water temperature: 1°C-40°C

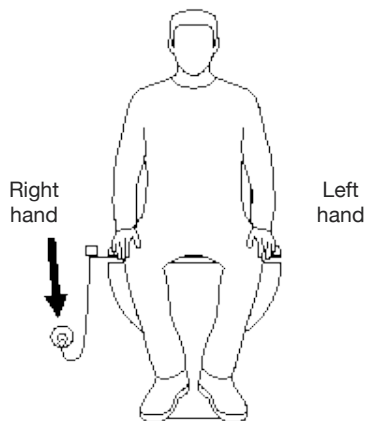
Working water pressure: 0.10MPa [100kPa] (min) > 0.75MPa [750kPa] (max)

Compatible with 1/2 inch BSPP (British Standard Pipe Parallel) [G1/2] thread form: Major diameter 20.955mm (approx.≈ 20.5mm)

Toilet compatibility

Your toilet and bidet must be compatible in order to achieve optimum install. The two questions you must answer affirmatively are:

1 Can I see the toilet tap next to my toilet?

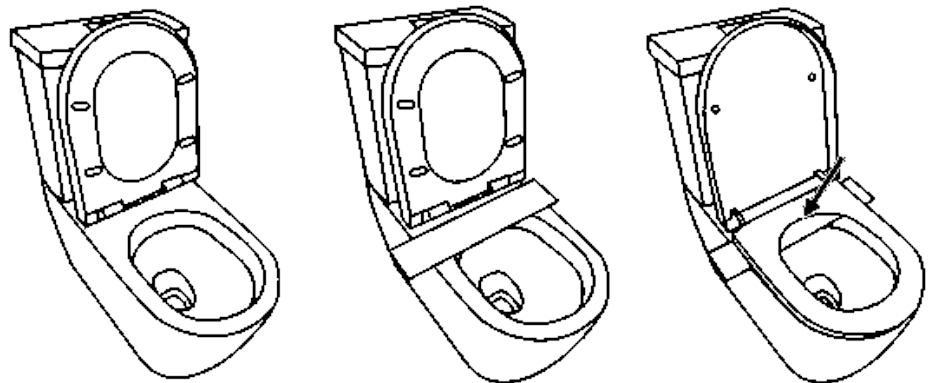


You must have access your toilet tap. If the toilet tap is not accessible the bidet cannot be installed.

Is the toilet tap is on the *right hand* side or the *left hand* side of the toilet? Once installed the bidet handle will face the same side as the toilet tap and is factory adjusted for either right hand or left hand facing.

2 Will my toilet seat sit flat once the bidet is installed?

Simple toilet seat check



1. Lift the toilet seat

2. Place some cardboard around 4mm thick on the toilet rim as shown

3. Lower the toilet seat and see whether it sits flat

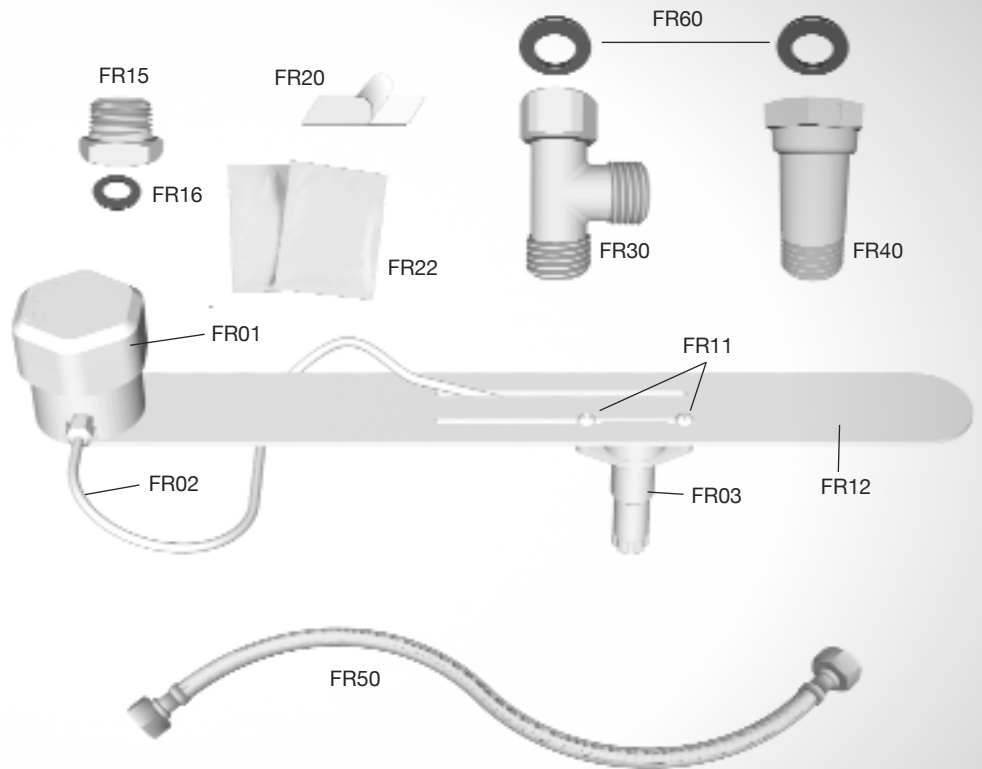
Although the bidet is only 3.5mm high, some toilet seats will rub against the bidet and not sit flat – this is often the case with soft plastic seats.

Low cost replacement seats are available from your local hardware store.

What's in the box

Parts list

Part#	Part name
FR01	Handle and control valve (right handed set-up shown)
FR02	PU hose
FR03	Jet assembly
FR11	Adjustment screws
FR12	Stainless steel 304 mounting plate
FR15	Bushing adapter (factory fitted)
FR16	Bushing washer
FR20	6x low profile polypropylene reclosable fasteners
FR22	2x silane adhesion promoter pads
FR30	Tee-valve
FR40	Dual-check valve (prevents water backflow into potable water supply) [AS/NZS 2845.1 compliant]
FR50	60cm braided flexi-hose with inbuilt rubber cone seals [AS/NZS3499 compliant]
FR60	2x washers (for tee-valve and dual-check valve)



Tips to Remember

Tools required



Phillips screwdriver



Adjustable spanner

Right hand or left handed?



The bidet handle will be on the same side as your toilet tap

Guard against injury



Working in tight spaces



Do not overtighten fittings

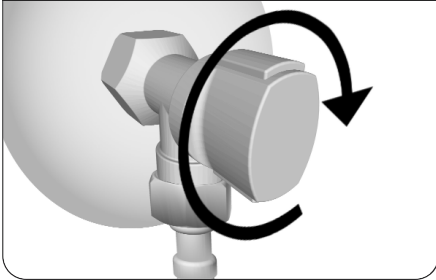
Hand screw the fitting until it starts to seat. Use the spanner only until you feel resistance and it starts to feel tight. Water-tight connections are achieved by the rubber washers and do not require extreme tightness which can damage threads and cause water leakage

Bathroom installation procedure

- 1 Install the dual-check valve, tee-valve and 60cm braided flexi-hose
- 2 Attach bidet on toilet
- 3 Connect 60cm braided flexi-hose to bidet
- 4 Pressure test
- 5 Fine adjustment

1 Install the dual-check valve, tee-valve and 60cm braided flexi-hose

1 Turn off water at toilet tap



- 1.1 Turn off toilet tap in a clockwise direction. Stiff and calcified tapware may require several back-and-forth turns to achieve free movement
- 1.2 Flush the toilet. There should be no sound of running water and the toilet cistern should not re-fill with water

2 Remove hose from toilet tap



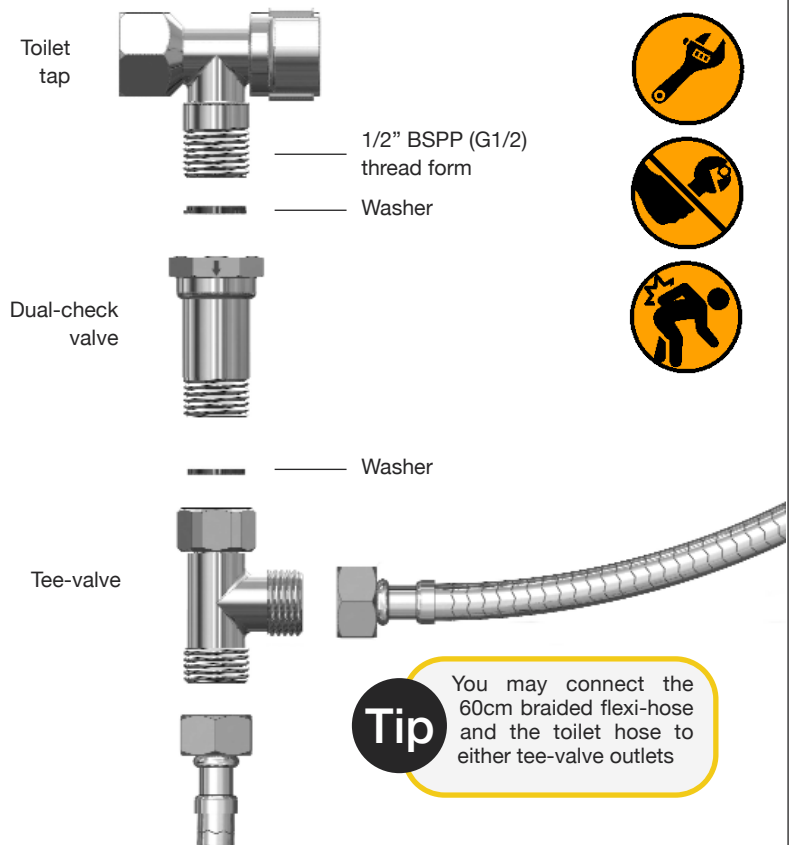
- 2.1 Undo toilet hose from toilet tap by turning in an anti-clockwise direction

Tip Use a bucket or towel to catch any overflow water that comes from the end of the hose

3 Installation

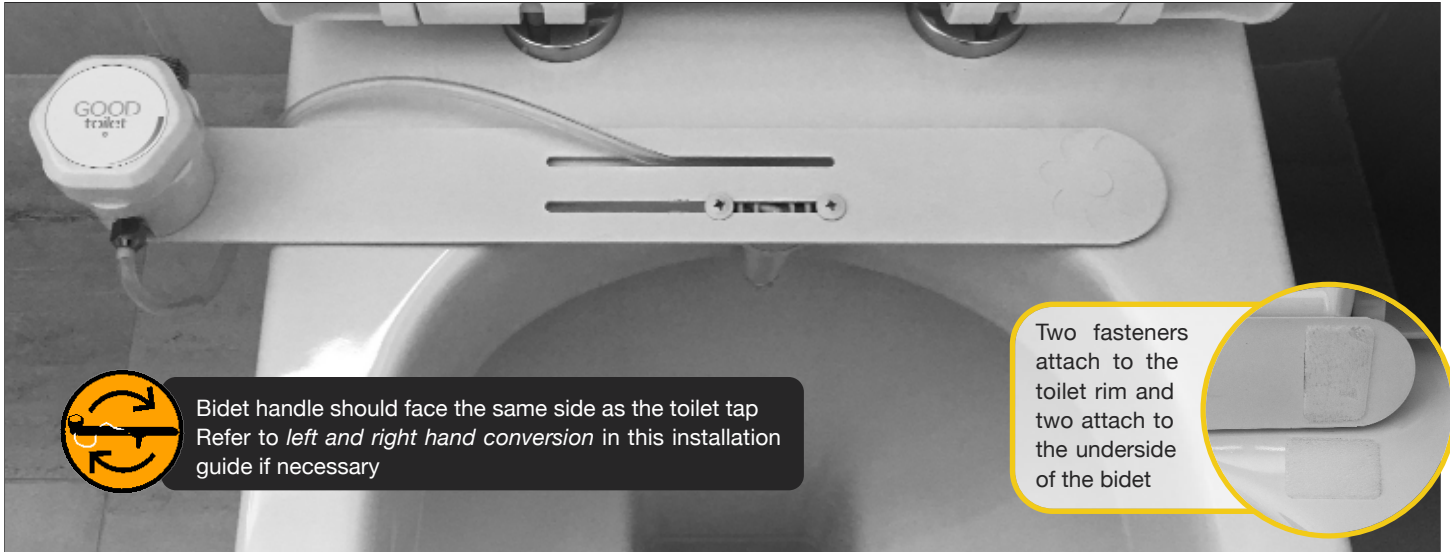
- 3.1 Install dual-check valve ensuring washer is in place
- 3.2 Install tee-valve ensuring washer is in place
- 3.3 Connect 60cm braided flexi-hose to tee-valve (either end of the flexi-hose may be used)
- 3.4 Connect toilet hose to tee-valve

CAUTION: Inspect your toilet hose for worn or damaged seals before its re-use. Replace toilet hose if required.



2

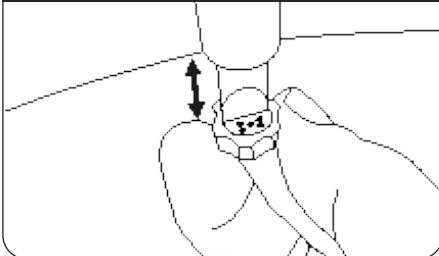
Attach bidet on toilet



Bidet handle should face the same side as the toilet tap
Refer to *left and right hand conversion* in this installation guide if necessary

Two fasteners attach to the toilet rim and two attach to the underside of the bidet

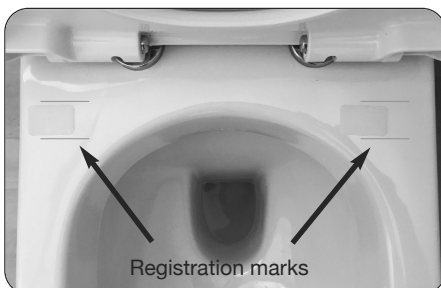
1 Place the bidet



- 1.1 The toilet rim must be clean, dry and free of oils
- 1.2 Place the bidet onto the toilet rim ensuring:
 - a) the handle is out of the way of the closing toilet seat and lid
 - b) the jet is approximately in line with the centreline of the toilet bowl and moves freely up and down without catching on the toilet rim

Note: Centring the jet by fine adjustment; refer to Section 5

- 1.3 Use a pencil to draw registration marks on the toilet rim for correct location of the bidet (mark above and below) and on the corresponding part of the bidet where the reclosable fasteners will attach



2 Attach fasteners and bidet

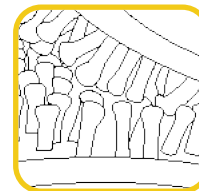


- 2.1 Open the foil packets and take out the silane adhesion promoter pad. Use the barrier glove as recommended.
- 2.2 Thoroughly rub the pad on the **toilet rim** between the pencil registration marks **and on the bidet** where the fasteners will be located
- 2.3 Wait 60 seconds for the moisture from the adhesion pad to evaporate

It is desirable for the bidet to completely hide the fasteners

- 2.4 Peel the backing liner off two reclosable fasteners without touching the adhesive and press on to the toilet rim between the registration marks
- 2.5 Peel the backing liner off two reclosable fasteners without touching the adhesive and press on to the corresponding underside of the bidet
- 2.6 Place the bidet into the correct position and press firmly down onto the fasteners - they will snap together

Reclosable fasteners



Low profile reclosable fasteners allow the bidet to be removed for cleaning and then re-attached. The life cycle of the fastener is rated at 150 closures before loss

of 50% of original strength.

The polypropylene material will resist attack from most common cleaners, solvents and alkaline solutions.

The pressure sensitive adhesive bonds on contact and increases adhesion with pressure and time. Maximum bond strength is achieved after 72 hours if kept dry. However the fastener will not cause any damage to the toilet when removed. Once removed, any residual glue can be cleaned with denatured alcohol.

Silane adhesion promoter pads



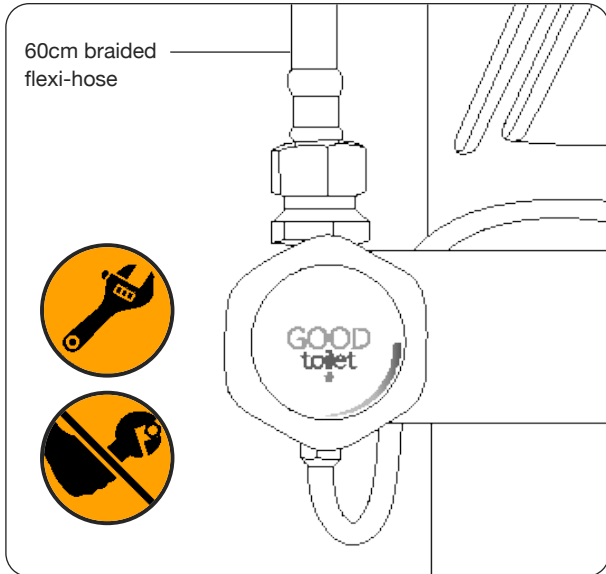
Normally, the moist environment of a toilet rim will destabilise adhesive bond strength. The silane coupling agent reduces the ability of moisture to undercut the bond and stabilises the adhesion.

undercut the bond and stabilises the adhesion.

The single use pad emits a strong solvent odour and should be used in a well ventilated area. May cause irritation to sensitive skin so use of barrier glove is recommended. There is no chemical reaction with the toilet or the bidet surfaces and no damage to either surface will be caused.

The used pad should be disposed of in household waste.

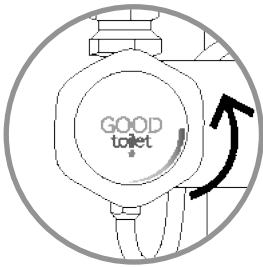
3 Connect 60cm braided flexi-hose to bidet



3.1 Attach the 60cm braided flexi-hose by hand screwing to the rear of the control valve until it seats and then tighten with the spanner **taking care not to overtighten**

Tip Avoid any kinks or twists to the flexi-hose

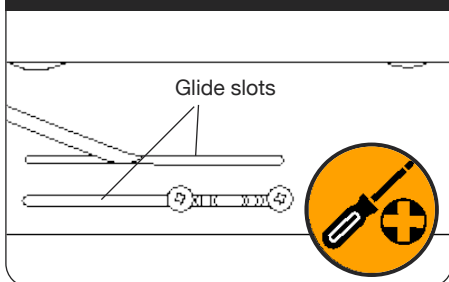
4 Pressure test



- 4.1 Turn bidet control knob completely anti-clockwise to **close**
- 4.2 Slowly open the toilet tap and listen for the cistern to begin to refill with water
- 4.3 Check all connections for leakage and adjust where required

5 Fine adjustment and jet testing

1 Fine adjustment



Jet alignment is performed by the following procedure

- 1.1 Ensure bidet control knob is in the closed position
- 1.2 Use a Phillips screwdriver to slightly loosen the two adjustment screws that hold the jet assembly
- 1.3 Nudge the jet assembly along the glide slot until it aligns with the centreline of the toilet bowl
- 1.3 Re-tighten the screws

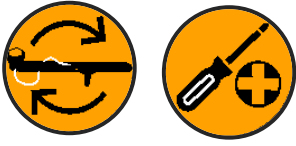
2 Jet testing



- 2.1 The jet can be safely tested by stretching a piece of kitchen cling film tightly over the toilet bowl
- 2.2 Slowly open the control knob by turning in a clockwise direction. The jet should freely open once threshold pressure is achieved

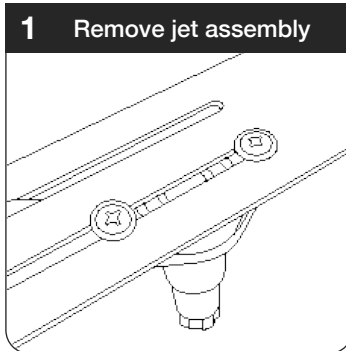
Tip **First time use:** Very gently open the control knob to reach the required water pressure

Left and right hand conversion

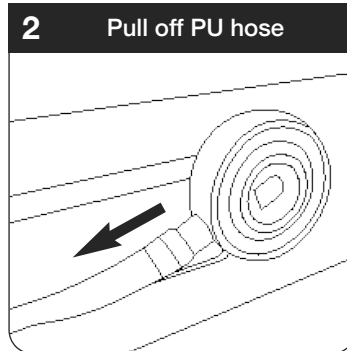


Good toilet bidet is factory adjusted for either right hand or left hand. However, it can easily be converted to either left hand or right hand use.

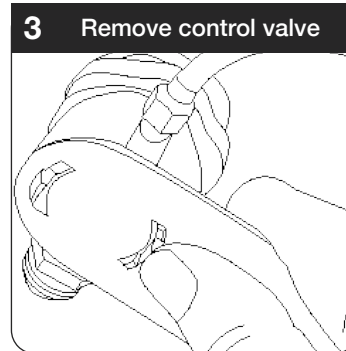
Note: A longer flexi-hose may be required to reinstate water flow once the bidet handle is on the opposite side to the toilet tap. Longer flexi-hoses are readily available from hardware and plumbing stores.



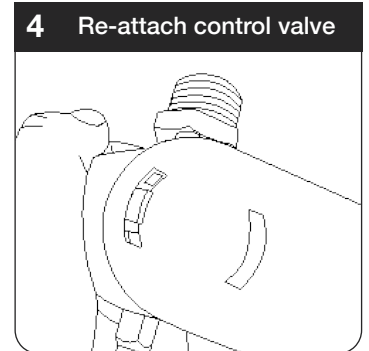
- 1 Remove jet assembly**
- 1.1 Remove the two adjustment screws that hold the jet assembly in place
 - 1.2 Gently put the jet assembly, O ring and screws aside



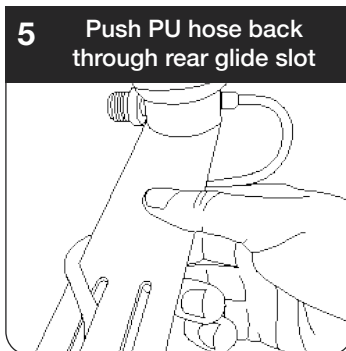
- 2 Pull off PU hose**
- 2.1 Pull the PU hose off the jet assembly crown
 - 2.2 Pull the PU hose out of the glide slot in the mounting plate



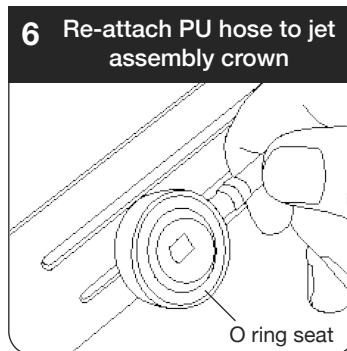
- 3 Remove control valve**
- 3.1 Press the two lugs underneath the control valve towards the centre and detach



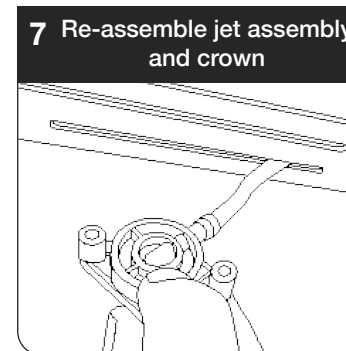
- 4 Re-attach control valve**
- 4.1 Turn the control valve to face the opposite direction and snap it back onto the mounting plate



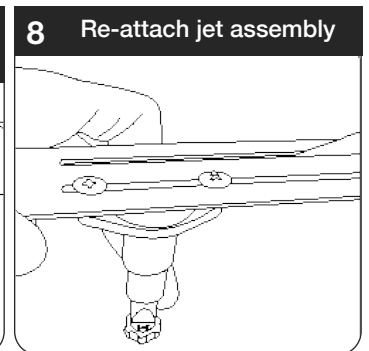
- 5 Push PU hose back through rear glide slot**
- 5.1 Curl the PU hose under and over the mounting plate and push it back through the rear glide slot



- 6 Re-attach PU hose to jet assembly crown**
- 6.1 Push the PU hose all the way over the hose nipple on the jet assembly crown ensuring that the O ring seat is facing down

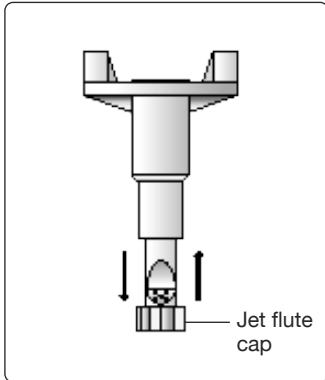


- 7 Re-assemble jet assembly and crown**
- 7.1 Ensure the O ring is sitting in the groove at the top of the jet assembly body
 - 7.2 Press the jet assembly body and crown together



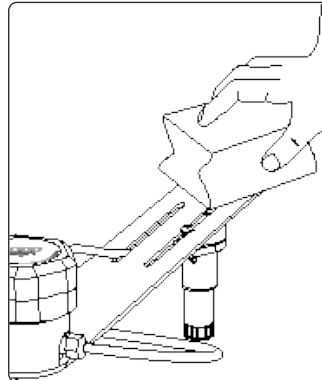
- 8 Re-attach jet assembly**
- 8.1 Firmly screw the jet assembly through the front glide slot
 - 8.2 Check that the jet outlet holes are facing forward

Troubleshooting and cleaning



If an outlet hole on the jet becomes clogged for some reason simply pull the jet flute down a few times and let it spring back into place.

Alternatively the jet flute cap can be removed by turning in an anti-clockwise direction and the jet flushed out by gently turning the bidet control knob on. Care should be taken to replace the jet flute cap firmly without cross-threading.



Periodically clean the bidet with a sponge or soft damp cloth and warm soapy water or mild detergent.

Avoid using harsh (caustic or corrosive) chemicals, abrasive chemicals or bleach based products which may cause damage.

Product Warranty

Good toilet bidet is guaranteed against defects in material and workmanship for two years from the date of purchase. If this device is defective your exclusive remedy will be replacement with a new Good toilet bidet. Expenses for removal and installation are not included. Shipping expenses for the new replacement bidet will be covered. If the defective device is required to be returned, shipping expenses will be paid back to the customer.

Please ensure the bidet is compatible with your toilet before unpacking (refer Toilet Compatibility guide). Care should be taken to correctly install the bidet as per this installation guide, the AS/NZS standards and any applicable requirements in your state and territory.

Warranty Exclusions

This warranty excludes the following:

1. Discoloured parts due to water discolouration, the use of harsh (caustic or corrosive) chemicals, abrasive chemicals, bleach or UV radiation
2. Damage resulting from normal wear and tear, use of harsh or abrasive chemicals, misuse or abuse, tampering or incorrect installation, chipping of paint on the mounting plate
3. Failure of the device due to foreign matter from either the water supply or installation

4. Failure of the device as a result of excessive water pressure or temperature outside the Scope of use guidelines
5. Failure of the device due to non-compliant installation of the water supply
6. Failure of the device due to the installation not complying with relevant AS/NZS standards, state or territory requirements or this installation guide
7. Reclosable fasteners/silane pads: Re-mounting packs are available from www.goodtoilet.com.au
7. Subject to any statutory requirements to the contrary, claims for damage to furniture, carpets, walls or foundations or any other consequential loss either directly or indirectly due to malfunction of the product are also excluded from warranty.

Claims or enquiries should be made directly to; www.goodtoilet.com.au with the following information: proof of purchase, and installing plumber's name and contact details.

The Good toilet bidet comes with guarantees that cannot be excluded under the Australian Consumer Law. You are entitled to a replacement or refund for a major failure and for compensation for any other reasonably foreseeable loss or damage. You are also entitled to have the goods repaired or replaced if the goods fail to be of acceptable quality and the failure does not amount to a major failure.

Support contact us at:
www.goodtoilet.com.au